

Model: FlowBar Diffusers

Air Flow Measurements:

1. Determine the area weighted average using the Alnor velometer. Hold probe against the diffuser, facing the air stream, opposite to throw direction. See the following figure.
2. Calculate the flow rate using the following equation.

$$\text{Flow Rate: CFM} = A_k/\text{Foot} \times \text{Ft} \times \text{Average Velocity (FPM)}$$

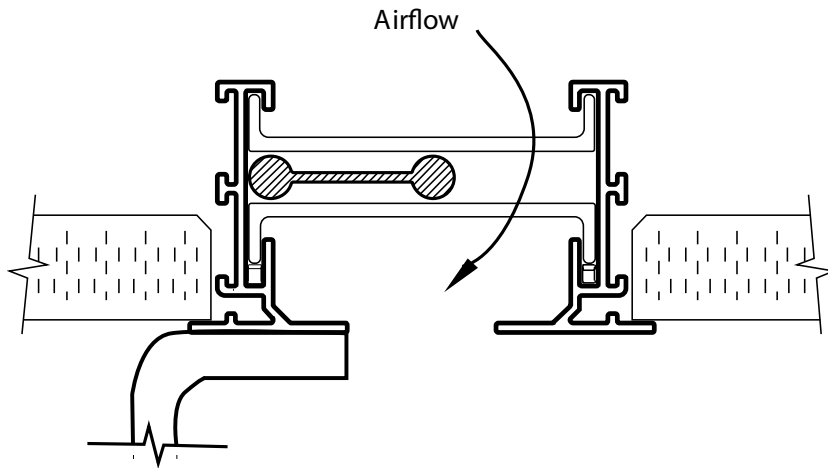
Where:

CFM = Unit flow rate

A_k/Foot = Factor presented in the following airflow factor table.

Ft = Active feet of linear diffuser

Average Velocity (FPM) = Average of several velocity readings



Alnor 6070, 6000, 2220-A, or 2220 Velometer

FlowBar Diffusers Air Flow Factors

Slot Opening	A_k/Foot
1 inch	0.063
1.5 inches	0.075
2 inches	0.093
2.5 inches	0.125
3 inches	0.134